

Pressure Gauge

standard - back mount

dim 40, 50 and 63 mm

E 02.01.02

ed.17.01

Application	Standard pressure gauge. Suitable for media that will not obstruct the pressure system or attack copper alloy parts
Design	EN 837-1
Type	Serie 2041
WIKA type no	111.12
Case diameter	Dim 40, 50 and 63 mm
Accuracy	Class 2,5%
Case	Black plastic case
Window	Plastic, snap-fit
Pressure element	Copper alloy
Pressure unit	Bar. Option also bar/Pascal, psi or bar/psi
Scale	White plastic scale
Pressure connection	Dim 40 = G 1/8" Dim 50 and 63 = G 1/4"
Mounting	Back mount
Pressure limitation	75% of full scale value by steady pressure 66% of full scale value by fluctuating pressure By short time pressure full scale value
Permissible temperature	Medium temperature max -20 till +60°C Ambient temperature max -20 till +60° C
Production options	Accuracy 1,6% Black painted steel case Other pressure connections



2041
Back mount

case dim 40



2041
Back mount

case dim 50



2041
Back mount

case dim 63

Pressure Gauge

standard - back mount
dim 40, 50 and 63 mm

E 02.01.02

Pressure range	Interval	Divisions
0-0,6 bar	0,02	30
0-1 bar	0,05	20
0-1,6 bar	0,05	32
0-2,5 bar	0,1	25
0-4 bar	0,2	20
0-6 bar	0,2	30
0-10 bar	0,5	20
0-16 bar	0,5	32
0-25 bar	1,0	25
0-40 bar	2,0	20

Pressure range	Interval	Divisions
0-60 bar	2,0	30
0-100 bar	5,0	20
0-160 bar	5,0	32
0-250 bar	10,0	25
0-400 bar	20,0	20
-1/0 bar	0,05	20
-1/+1,5 bar	0,1	25
-1/+3 bar	0,2	20
-1/+5 bar	0,2	30
-1/+9 bar	0,5	20

Accuracy

Max permissible error 2,5%

The accuracy is expressed as a percentage of full scale range.

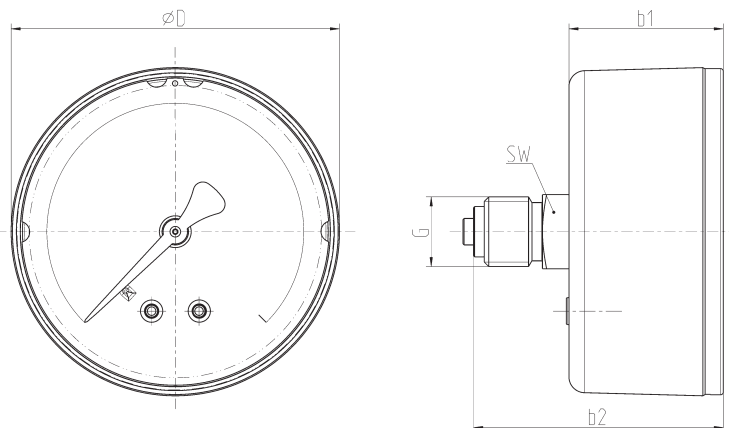
Permissible error 2,5% will cover 0% till 100% of scale range with a reference temperature of +20°C.

Ex. Pressure range 0-10 bar has an error of $\pm 0,25$ bar

Temperature effect

Temperature effect

Temperature of the measuring system over or under the reference temperature +20°C will effect the accuracy with 0,4 percentage per +10°C. With a medium temperature of +40°C the accuracy will be $\pm 3,3\%$.



Dim Ø	a	b	b ₁	b ₂	D	G	h	SW	weight
40	-	-	26	42	39	G1/8"	-	14	0,06
50	-	-	29,5	47,5	49	G1/4"	-	14	0,07
63	-	-	29	47	62	G1/4"	-	14	0,08

Pressure Gauge

standard - back mount

dim 40, 50 and 63 mm

E 02.01.02

Design with single scale in bar

			
	dim 40 mm	dim 50 mm	dim 63 mm
Connection	G1/8"	G1/4"	G1/4"
0-0,6 bar	x	x	20412001
0-1 bar	20410202	20411002	20412002
0-1,6 bar	20410203	20411003	20412003
0-2,5 bar	20410204	20411004	20412004
0-4 bar	20410206	20411006	20412006
0-6 bar	20410207	20411007	20412007
0-10 bar	20410208	20411008	20412008
0-16 bar	20410211	20411011	20412011
0-25 bar	20410213	20411013	20412013
0-40 bar	20410215	20411015	20412015
0-60 bar	20410217	20411017	20412017
0-100 bar	20410219	20411019	20412019
0-160 bar	20410220	20411020	20412020
0-250 bar	20410222	20411022	20412022
0-400 bar	20410224	20411024	20412024
-1/0 bar	20410240	20411040	20412040
-1/+1,5 bar	x	x	x
-1/+3 bar	x	x	x
-1/+5 bar	x	x	20412068
-1/+9 bar	x	x	20412069

Pressure Gauge

standard - back mount
dim 40, 50 and 63 mm

E 02.01.02

Special design on stock with dual-scale in bar and Pascal

			
	dim 40	dim 63	dim 63
Connection	G1/8"	G1/8"	G1/4"
0-1 bar/kPa	20410242	x	x
0-4 bar/kPa	20410246	20411706	x
0-6 bar/kPa	20410247	x	x
0-10 bar/MPa	20410248	20411708	x
0-16 bar/MPa	x	20411711	20412051

Special design on stock with dual-scale in bar and psi

					
	dim 40	dim 40	dim 50	dim 50	dim 50
Connection	G1/8"	1/8"NPT	G1/8"	G1/4"	1/4"NPT
0-1,6 bar/23 psi	20410803	x	x	x	x
0-2,1 bar/30 psi	x	20410714	x	x	20411614
0-2,5 bar/35 psi	20410804	x	x	x	x
0-4 bar/60 psi	20410806	x	x	x	20411617
0-6 bar/90 psi	20410807	x	x	x	20411619
0-10 bar/145 psi	20410808	x	x	20411808	x
0-11 bar/160 psi	x	20410720	x	x	x
0-12 bar/170 psi	20410812	x	20411912	x	x
-1-0 bar/-15-0 psi	20410840	x	x	x	x